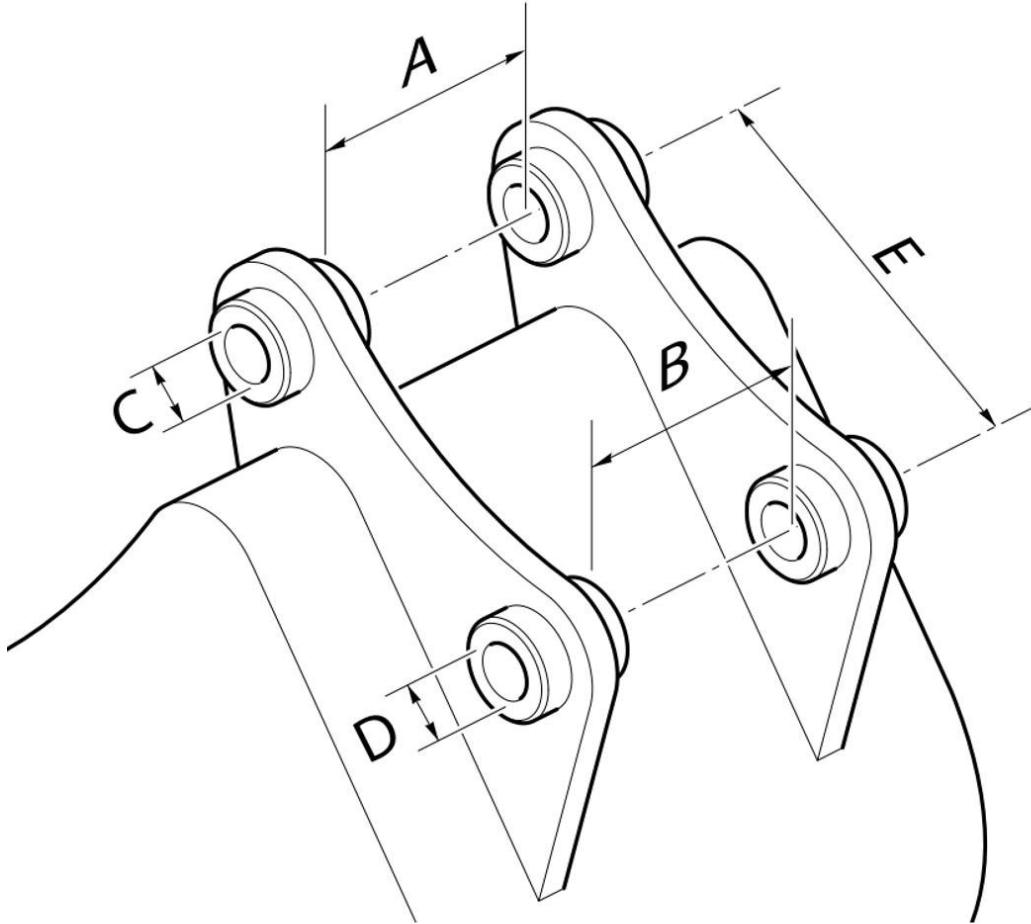


Pin-On Mount Required Specs Form

Please fill out all applicable dimensions below:



Dimension	Value
A	
B	
C	
D	
E	